

ITEM	DESCRIPTION
1	AIR TO CYLINDER
2	AIR TO CYLINDER
3	CONTROL WIRE
4	MUFFLER
5	AIR SUPPLY

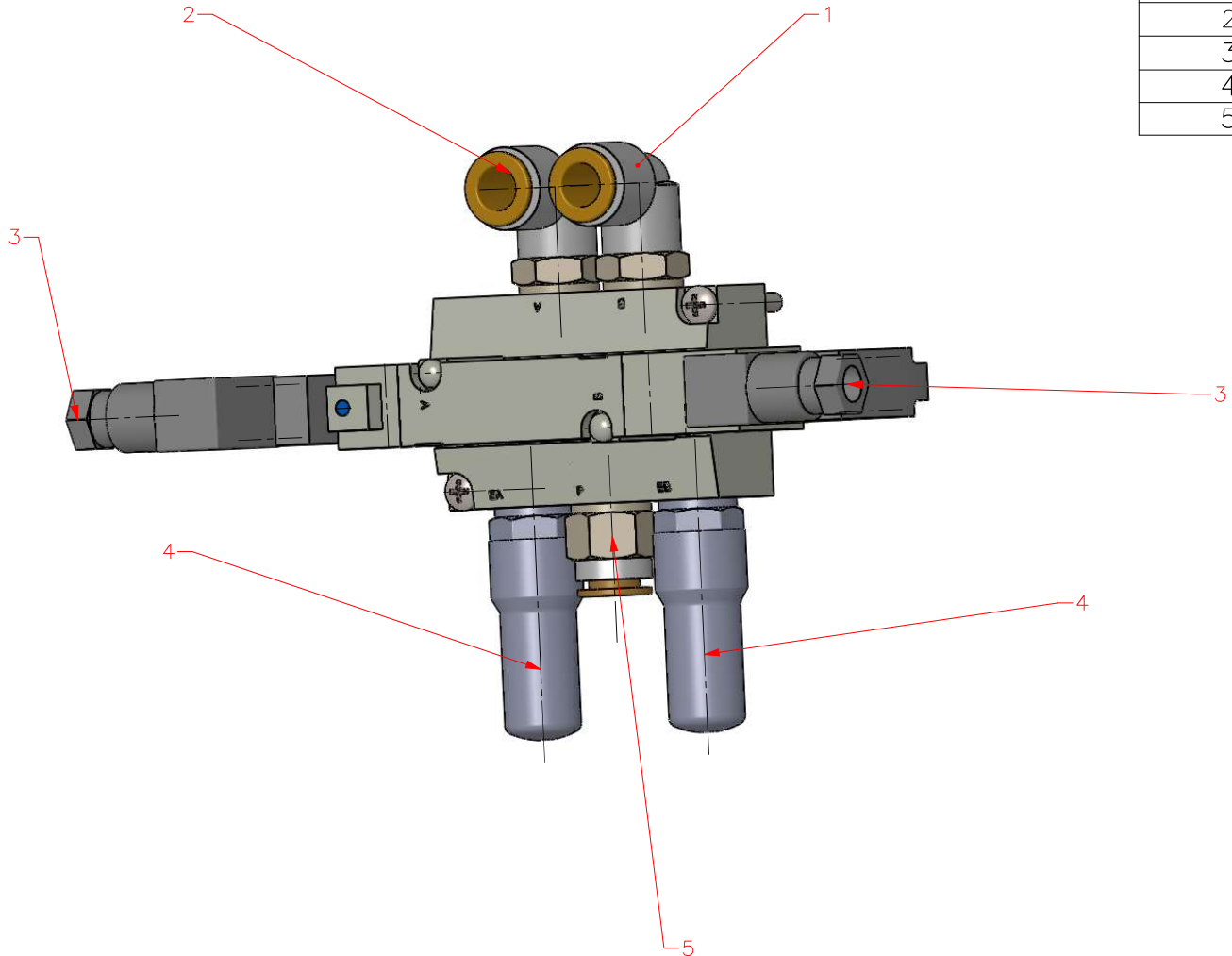


ILLUSTRATION 8

**PART NO. ASOLS-SY7340-5DZ-03T-ASSY**

O	DATE	DESCRIPTION	BY

**FABRICATION TOLERANCES**  
 UNLESS NOTED  
 FRACTIONS  $\pm 1/32"$   
 DECIMAL  $\pm 0.005"$   
 ANGULAR  $\pm 1/2^\circ$

Softrol Systems, Inc. Reserves all proprietary rights to this drawing and all data shown hereon is CONFIDENTIAL and can not be used without prior written consent of Softrol Systems, Inc.

DRAWN/DESIGNED	DATE
DLC	04-21-16
MACHINE SHOP	----
PRODUCTION	----
ENGINEERING	----

<b>SOFTROL</b>	
<small>1100 NORTHPOINT PKWY, ACWORTH, GA, 30102 PHONE: 770-974-2700 FAX: 770-974-0435</small>	
TITLE: ILLUSTRATION 8	
SIZE: B	PART NO / FILE NAME: ASOLS-SY7340-5DZ-03T-ASSY
SCALE: 1:1	SHEET: 1