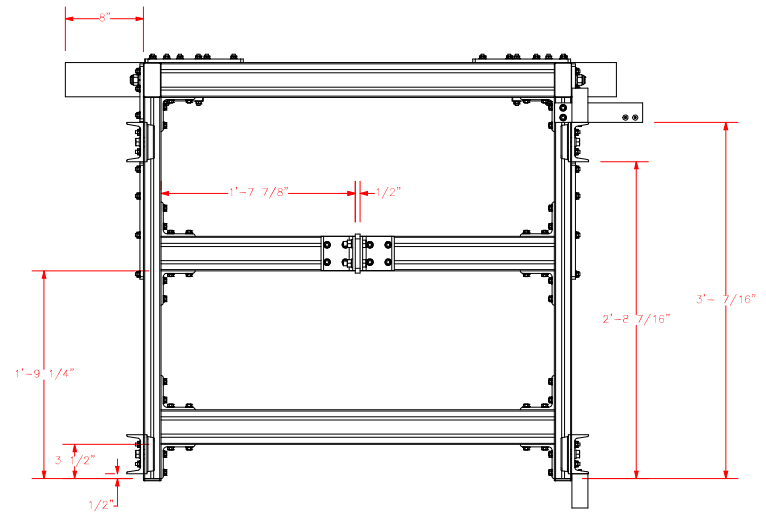
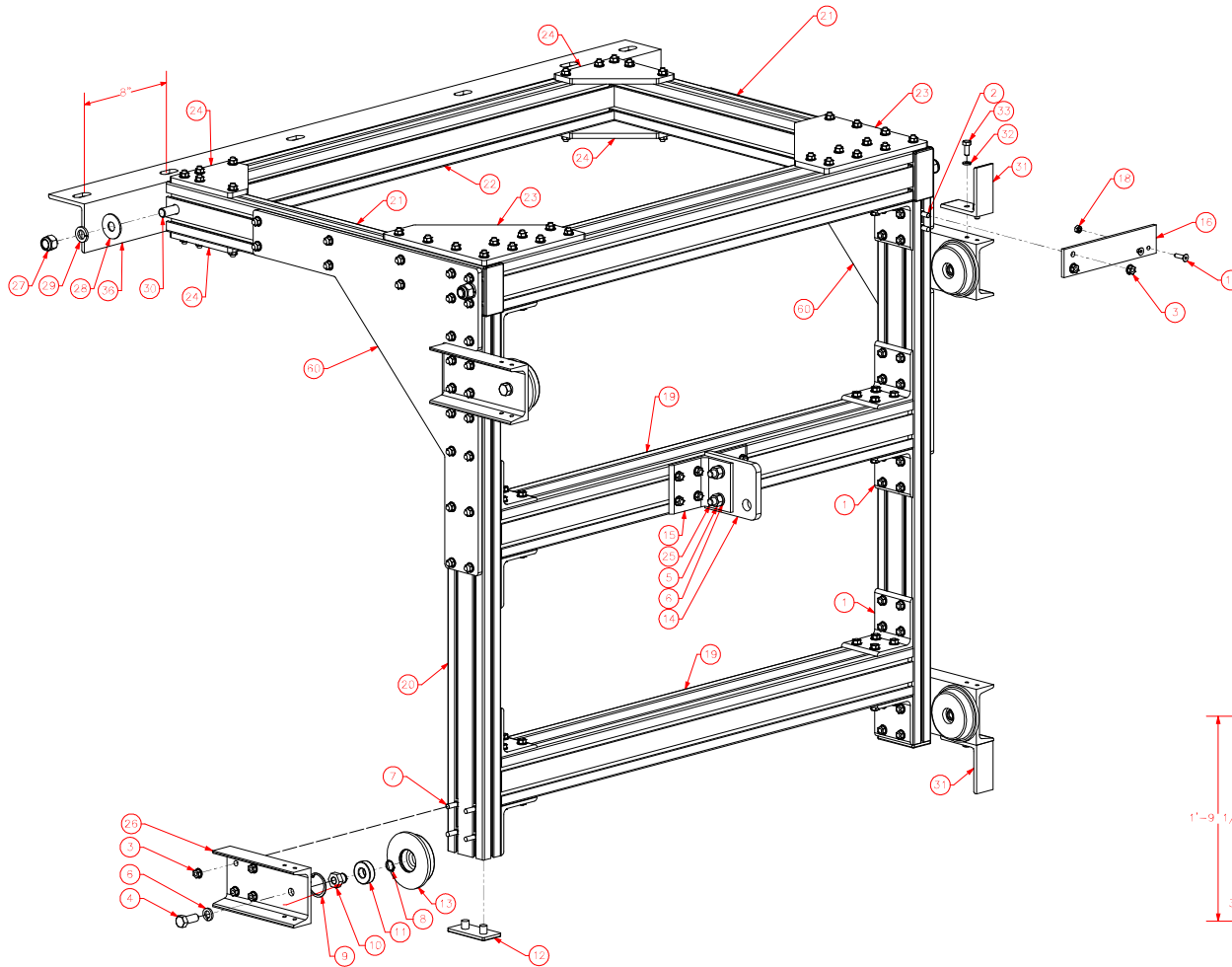


ITEM	DESCRIPTION
5	CARRIAGE MOUNTING BOLT
6	CARRIAGE MOUNTING NUT
14	CLEVIS CONNECTION PLATE
15	CARRIAGE CONNECTION CLIP
31	UPPER / LOWER SW-TRIGGER

ILLUSTRATION 7



REV	DATE	DESCRIPTION	BY

FABRICATION TOLERANCES	
UNLESS NOTED	
FRACTIONS ±1/32"	
DECIMAL ±0.005"	
ANGULAR ±1/2°	

DESIGNED BY	TMT	DATE	02-19-16
DRAWN BY			
CHECKED BY			
APPROVED BY			
PROJECT NO.			
DESCRIPTION	D CR-GTLCR48LHA-SLDRV		
SHEET NO.	11	TOTAL SHEETS	2 OF 3

SOFTROL
 1100 UNIVERSITY DRIVE, SUITE 200, WILSONVILLE, OR 97150
 PHONE: (503) 670-8000 FAX: (503) 670-8001